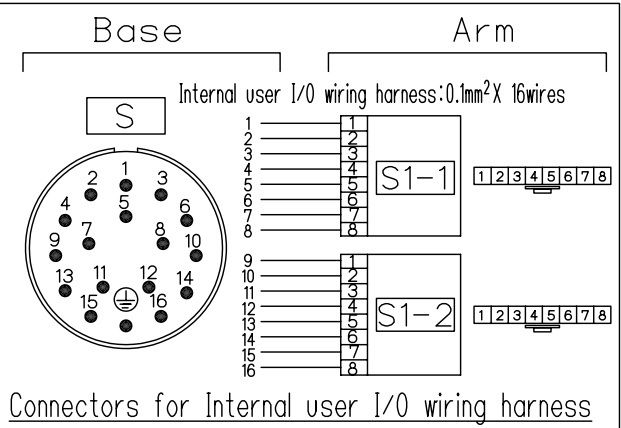


DWG.NO. HW0389840

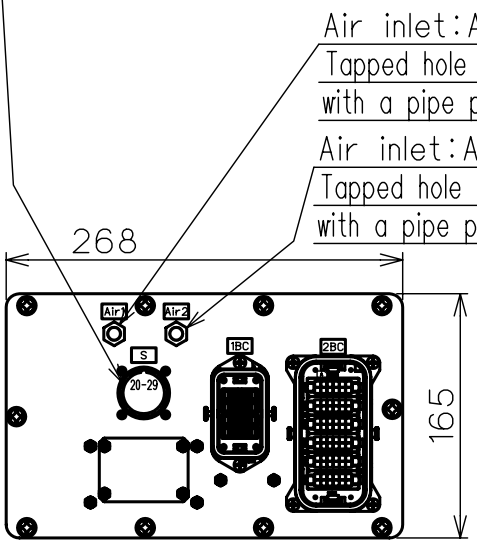
This drawing is applicable with following type

Type	Note
YR-SIA020D-A00	Standard·DX100
YR-SIA020D-A01	Dripproof Spec.·DX100
YR-SIA020F-A00	Standard·FS100
YR-SIA020F-A01	Dripproof Spec.·FS100

The drip-proof specification has a hole on its wrist flange to pass cables as with the standard specification. When mounting equipment such as attachment, perform drip-proof treatment on the flange surface.
 The optional waterproof wrist flange is available.
 <NOTE> The connectors for internal user I/O wiring harness are not drip-proofed; depending on the ambient conditions, perform drip-proof treatment after connecting the wiring harness. (E.g., treating the connections with silicon tape, or connecting the wiring harness inside the drip-proof box.)

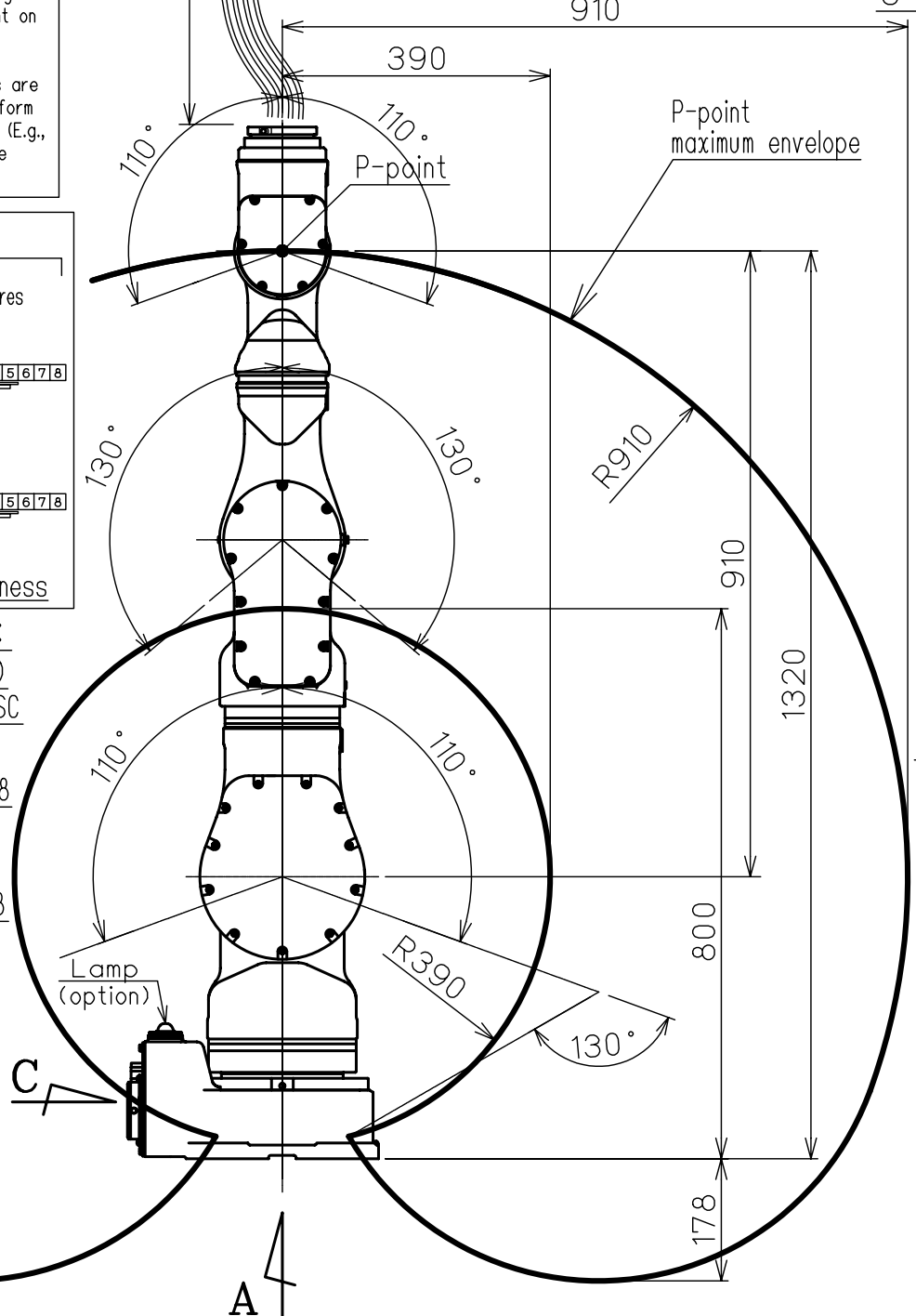
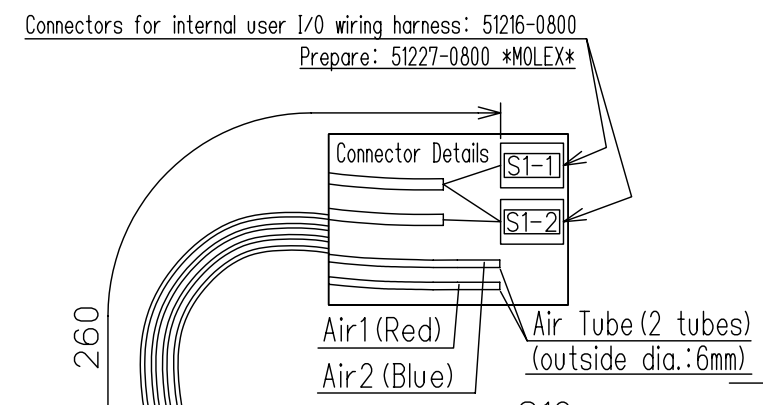


Connectors for Internal user I/O wiring harness
 Connector for internal user I/O wiring harness S:
 JL05-2A20-29PC (Pin connector with a cap)
 Prepare socket connector: JL05-6A20-29SC

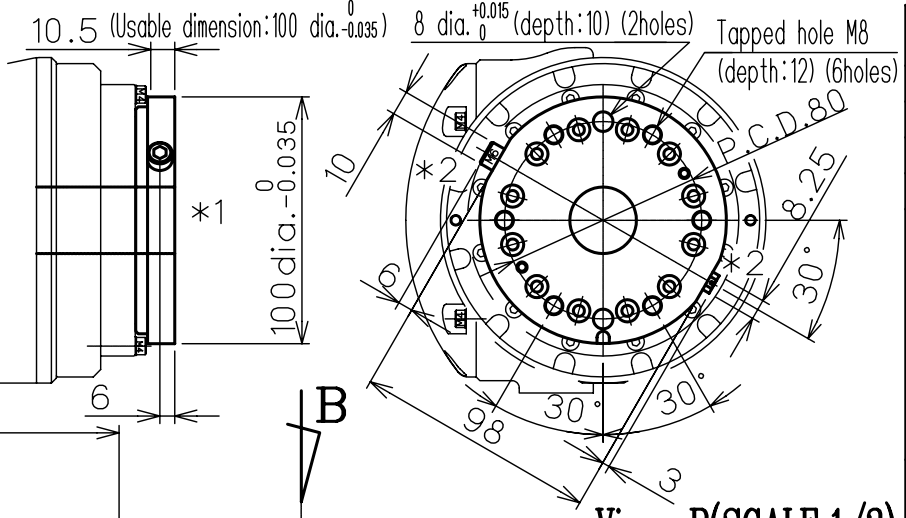


View C

FOR STUDY PURPOSE ONLY

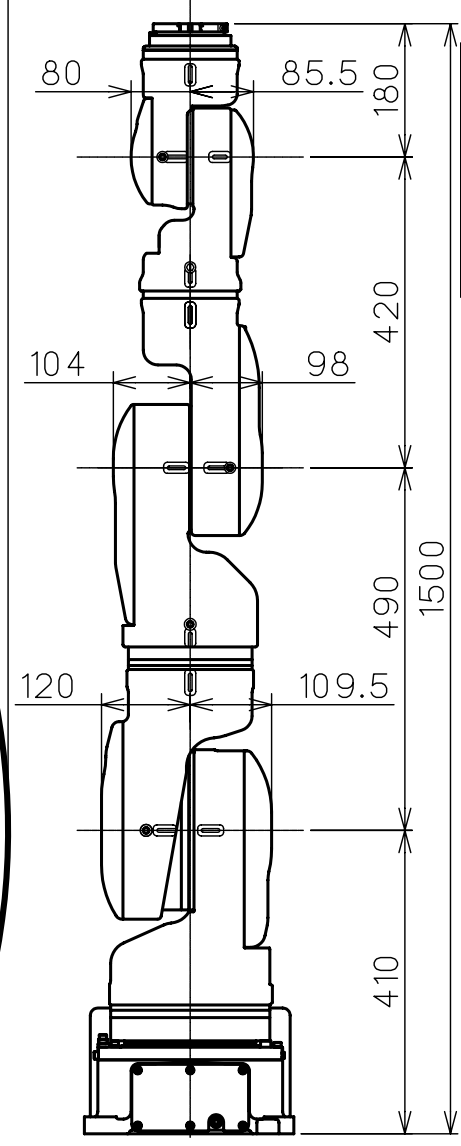


A

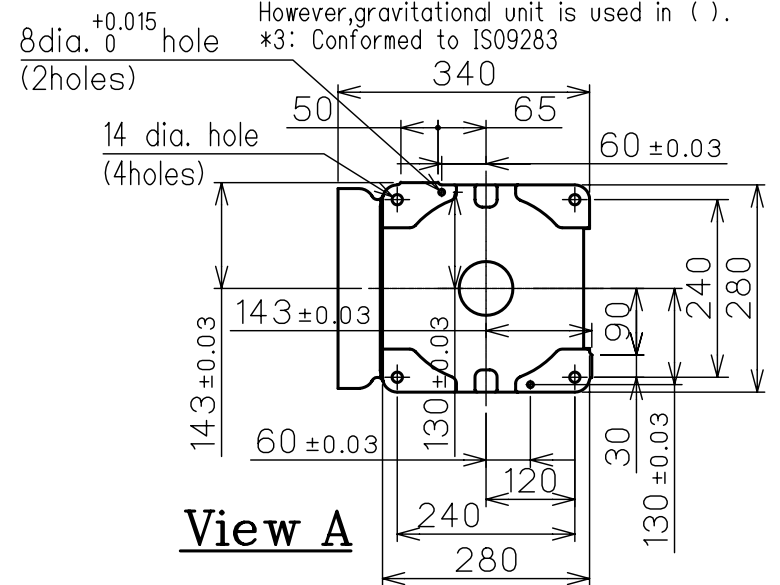


View B (SCALE 1/3)

*1: Flange has a cable through hole. When mounting equipment such as an attachment, ensure that no foreign liquid, oil, or dust go into hole.
 *2: When 100 dia. part is used, pay attention to the screw and plug for T-axis grease replenishment.



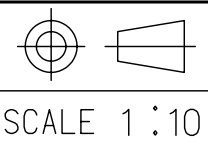
View A



Item	Model	MOTOMAN-SIA20D, SIA20F
Configuration	Vertically Articulated	
Degree of Freedom	7 axes	
Payload	20kg	
Repetitive Positioning Accuracy*3	±0.1mm	
Range of Motion	S-axis	-180° - +180°
	L-axis	-110° - +110°
	E-axis	-170° - +170°
	U-axis	-130° - +130°
	R-axis	-180° - +180°
	B-axis	-110° - +110°
	T-axis	-180° - +180°
Maximum Speed	S-axis	2.27rad/s (130° /s)
	L-axis	2.27rad/s (130° /s)
	E-axis	2.97rad/s (170° /s)
	U-axis	2.97rad/s (170° /s)
	R-axis	3.49rad/s (200° /s)
	B-axis	3.49rad/s (200° /s)
	T-axis	6.98rad/s (400° /s)
Allowable Moment	R-axis	58.8N·m (6kgf·m)
	B-axis	58.8N·m (6kgf·m)
	T-axis	29.4N·m (3kgf·m)
Allowable Inertia (GD²/4)	R-axis	4.0kg·m²
	B-axis	4.0kg·m²
	T-axis	2.0kg·m²
Mass	120kg	
Ambient Conditions	Temperature	0 to 40°C
	Humidity	20 to 80%RH at constant temperature
	Vibration acceleration	4.9m/s² (0.5G) or less
	Others	*Free from corrosive gas or liquid, or explosive gas *Free from exposure to water, oil, or dust *Free from excessive electrical noise (plasma)
Power Capacity	DX100	2.0 kVA
	FS100	1.5 kVA

SI units are used in this table. However, gravitational unit is used in ().
 *3: Conformed to ISO9283

Note:
 1. All rights reserved.
 2. Please note that the data is subject to be deleted without advance notice.
 3. No warranty is given in relation to the data including the specification.
 4. We are not responsible for any damages or loss caused by the use of the data.



Reference Drawing

TITLE MOTOMAN-SIA20D, SIA20F
 DIMENSION DIAGRAM

DWG.NO. HW0389840

SIZE A3